



ELink Module

EL-FTX 1310nm Forward Transmitter

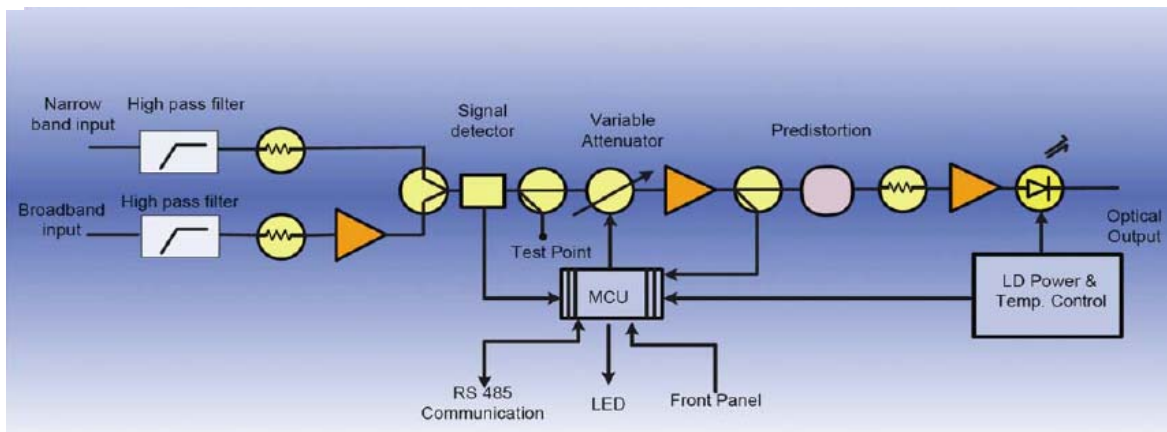
Description

The EL-FTX is a member of the ELink series Optical Platform and is a high performance 1310nm DFB laser transmitter module and ideal for broadcast and narrowcast applications in optical transportation. The modules can provide a wide range of optical output power to deliver both analog and digital signals. High performance, advanced pre-distortion circuitry achieves superior CSO and CTB. All configuration parameters can be monitored by LEDs on the front panel or by the EL-EMS management module. The EL-FTX module can be set up for AGC or MGC modes. These modes can be set up on the front panel.



Features

- Various output optical power options
- Automatic/manual gain control
- Broadband and narrowband input
- RF input test point
- Short circuit protection
- High performance DFB laser
- Pre-distortion circuit
- Hot-swap capability
- Superior Noise Performance
- Input High Pass Filters



Specifications

Parameter	Unit	Specification	Note
Optical Performance			
Wavelength	nm	1310+/-20	--
Output power	dBm	see order matrix below	--
Connector	--	see order matrix below	--
RF Performance			
Bandwidth	MHz	50-1003	--
Return loss	-dB	≥16	--
Input level	dBmV	15+/-4 27+/-4	Broadband Narrowband
Impedance	ohm	75	--
Flatness	dB	+/-0.75	--
Connector		F-female	--
Test point	dB	-20+/-1 -32+/-1	Broadband Narrowband
Link Performance 15km fiber + attenuator, receive power -1dBm (77 NTSC channels)			
CSO	dBc	≤-63	--
CTB	dBc	≤-67	--
XMOD	dBc	≤-65	--
Electrical/Physical Performance			
Supply voltage	VDC	24	--
Power consumption	W	<12.5	--
Dimensions	mm	410D x 24W x 128H	--
Weight	Kg	1.2	--
Operating temperature	°C	0 to 50	
Humidity	%	85, non-condensing	
Storage temperature	°C	-40 to 70	

Note: Specifications are subject to change without notice.

Carrier to Noise											
Power\Loss	05	06	07	08	09	10	11	12	13	14	15
6dBm	53	52	51	50							
8dBm			53	52	51	50					
9dBm				53	52	51	50				
10dBm					53	52	51	50			
11dBm						53	52	51	50		
12dBm							53	52	51	50	
13dBm								53	52	51	50

Note: With the addition of 75 QAM channels, the C/N may degrade up to 2dB

Ordering Information

EL-	FTX-	1310-	D	08-	SA
Model Series	Type	Wavelength	Laser type	Optical Power Output	Opt Conn
EL-	FTX-	1310	D=DFB	06=6dBm	SA=SC/APC
				08=8dBm	FA=FC/APC
				09=9dBm	
				10=10dBm	
				11=11dBm	
				12=12dBm	
				13=13dBm	

Corporate Headquarters
Electroline Equipment Inc.
 395 Lebeau Blvd.,
 Saint-Laurent, Quebec H4N 1S2
 Canada

Telephone
North America (800) 461-3344
Elsewhere (514) 374-6335

Fax
Corporate /Ordering
 (514) 374-2257

General Inquiries
info@electroline.com
Technical Support
support@electroline.com