



EON OPTICAL NODE

Electroline 4 or 2-Port Optical Node

Description

Electroline Optical Node (EON) is a high performance outdoor optical node with field upgradable flexibility in a compact package. The EON-4 is capable of providing +47dBmV on each output port at 1003 MHz. The EON-2 allows for up to +51dBmV on two outputs.

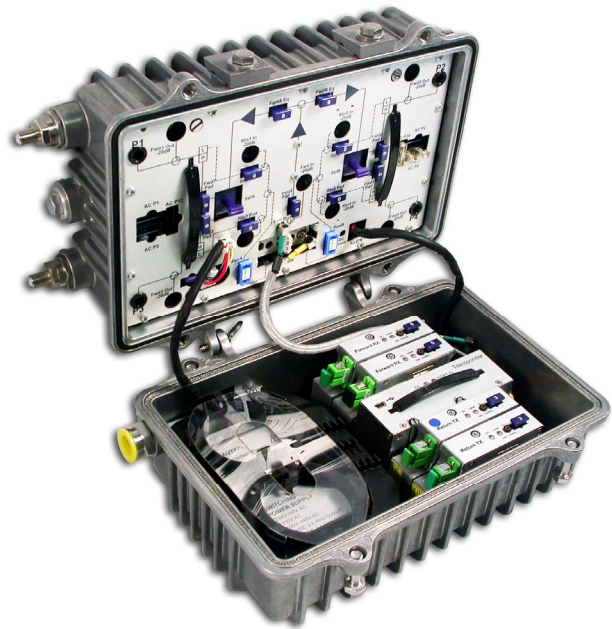
The EON nodes can be configured for downstream redundancy or return band splitting in the upstream. In addition, an optional DOCSIS HMS compliant transponder can be included today or in the future to allow the operator the ability to remotely monitor the nodes performance and control ingress management switches. The EON series of optical nodes allows the system designer flexibility, economics, and performance to maximize the CATV optical network.

Applications

- HFC
- PON
- MDU'S

The Electroline Advantage

- Proven reliability
- Exceptional customer service
- Over 50-years experience
- Compact size
- Affordable price



Features

- +47 dBmV @ 1003MHz (all 4-ports)
- Field upgradeable for return band splitting and/or downstream redundancy
- Wide optical input range (-4 to +2dBm)
- Plug in attenuation
- Plug in fixed or adjustable equalization
- Optional DOCSIS transponder
- Optional ingress management switch
- Diplex filters (42/54, 55/70, or 65/85 MHz)
- Optical Power test point and LED displays on the receiver and transmitter modules
- 15 ampere power passing

EON OPTICAL NODE

Electroline 4 or 2-Port Optical Node

Technical Specifications:

Receiver Specifications

Optical Specifications	
Input Wavelength	1200 to 1600 nm
Optical Input Power	-3 to +2 dBm or -9 to -3 dBm
Optical Power Test Point	1 V/mW
RF Specifications	
Frequency Bandwidth	54 to 1003 MHz; 70-1003 MHz; 85-1003 MHz
Impedance	75 Ohms
Flatness	+/- 1.0dB
Output Return Loss	> 16 dB
Operating RF Output Level	
EON-2	39/51dBmV
EON-4	35/47 dBmV
RF Output Stability	+/- 1.5 dB over optical input range
Distortion, OMI = 3.5 % Note 1	
CTB	>61 dBc @ 0 dBm Optical Power Input
CSO	>61 dBc @ 0 dBm Optical Power Input
Carrier to noise ratio	>51 dB @ 0 dBm Optical Power Input

Transmitter Specifications

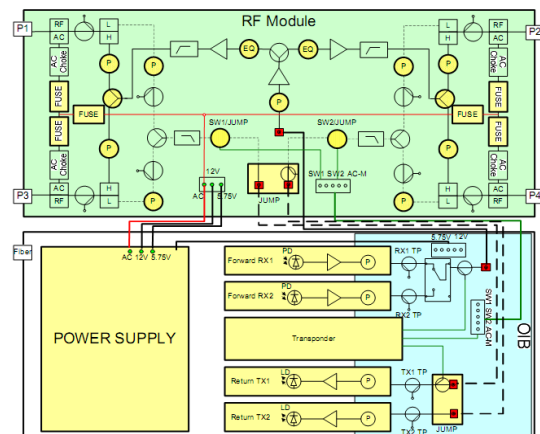
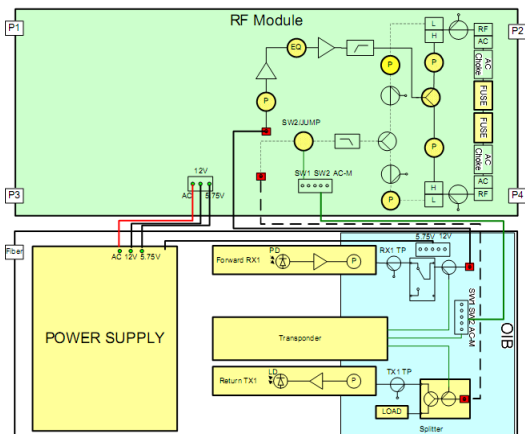
Optical Specifications	
Output Wavelength	1310 nm or 1550 nm
Optical Output Power	0 to 3 dBm (depending on model)
Optical Return Loss	>55 dB for APC Connector

General Specifications

Power Consumption	< 25 Watts
-------------------	------------

Notes: Specifications are subject to change without notice.

- 1.) 77ch NTSC analog carriers (50-550 MHz); 73 ch; 256 QAM 6 dB below analog, @ 0 dBm received input optical power ; 10 dB link loss (15 km fiber + attenuation), 3.5% OMI.



Corporate Headquarters
Electroline Equipment Inc.
 395 Lebeau Blvd.,
 Saint-Laurent, Quebec Canada
 H4N 1S2

Telephone
 North America (800) 461-3344
 Elsewhere (514) 374-6335

Fax
Corporate/Ordering
 (514) 374-2257

General Inquiries
info@electroline.com
Technical Support
support@electroline.com