

ELink Module

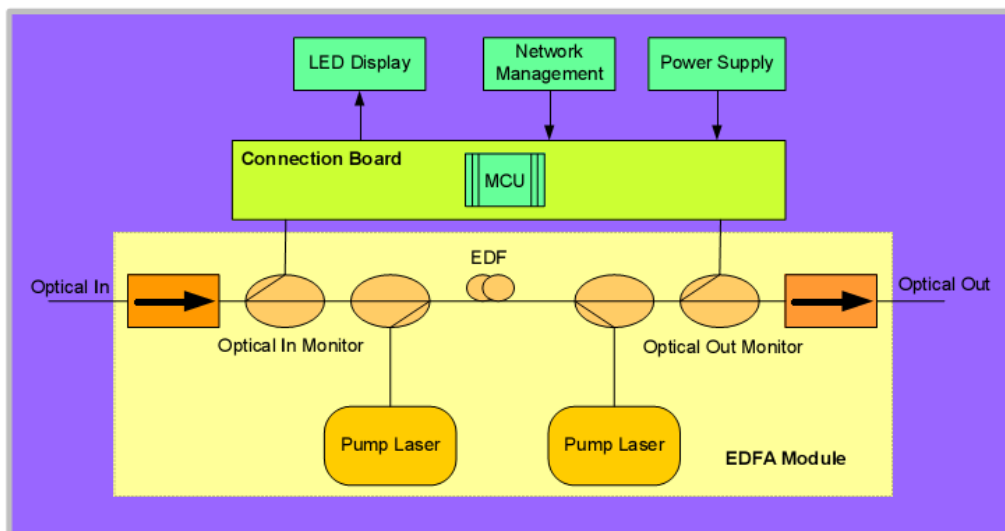
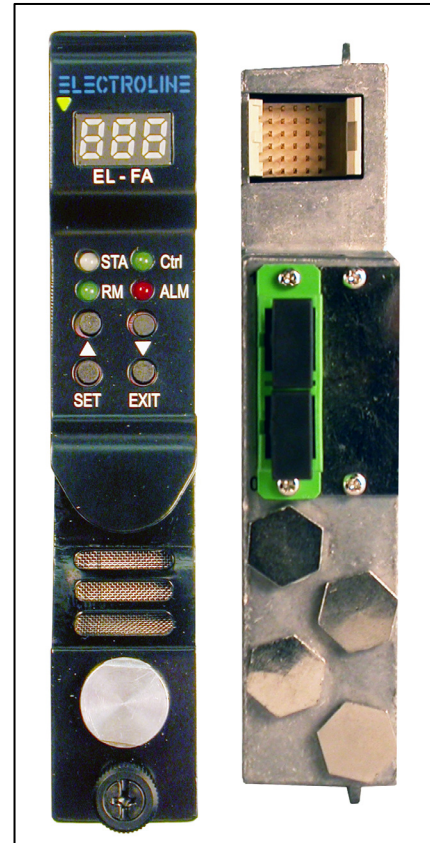
EL-FA2 Optical Amplifier

Description

The EL-FA2 series of fiber amplifier modules are components of the Elink Optical Transmission Platform and provide optical signal amplification for high performance networks providing voice, video and data services. It is used in networks of varying architecture such as FTTx, RfoG, RF- PON and HFC. The EL-FA2 contains a high reliability single or double pump laser, has a low noise figure and is available with output options ranging from 14 to 23 dBm. An embedded master control unit (MCU) monitors status of critical components, measures values of key parameters, controls certain function within the unit and report this information via front panel display and over an SNMP network interface.

Features

- Output optical powers from 14dBm to 23dBm
- Low noise figure
- High gain
- Single or double Pump Laser design
- High reliability
- To amplify the optical signal for 1550nm
- Panel display functions
- Applied CATV, HFC, RFoG and FTTx Networks



Technical Specifications:

Parameter	Unit	Specification		
Wavelength	nm	1530-1565		
Input power	dBm	-5 to +10		
Number of Output ports		1		
Output power	dBm	14dBm to 23dBm		
Optical power stability	dB	+/- 0.5		
Polarization- dependent gain	dB	<0.5		
Polarization-mode Dispersion	ps	<0.5		
Return loss	dB	>40		
Noise figure	dB	<5(power<=20dBm) <5.5(power>20dBm)		
Connector		SC/APC or FC/APC		
Supply voltage	VDC	24		
Dimensions	mm	410D x 24W x 128H		
Weight	Kg	1.2		
Parameter	Symbol	Unit	Min	Max
Operating Temperature	Top	°C	0	50
Storage Temperature	Tstg	°C	-40	70
Humidity	H	%		85, non-condensing

*** Specifications are subject to change without prior notice**

Ordering Information

EL-	FA2	14-	SA
Model Series	Type	Optical Power Output	Opt Conn
EL-	FA2	14 = 14dBm 17 = 17dBm 19 = 19dBm 20 = 20 dBm 21 = 21dBm 23 = 23dBm	SA=SC/APC FA=FC/APC