

# EDL-CH Chassis OLT Series



## Highlights



High reliability  
Dual-MCU Board  
Type B PON Protection



Versatile Slot Configuration  
Multi business slots



Simple Evolution: GPON to XG(S)-PON

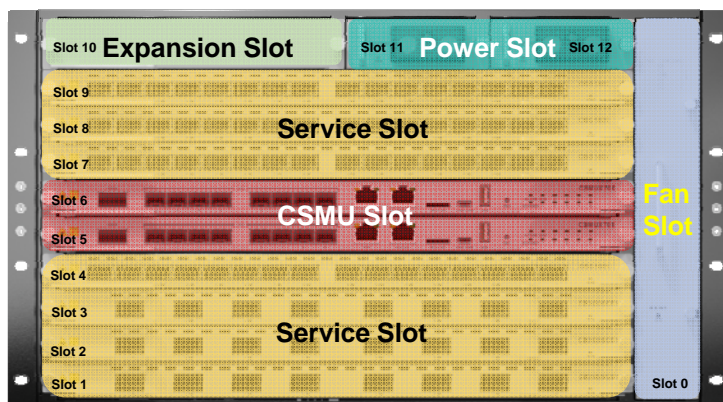
## Introduction:

Electroline is proud to introduce the EDL-CH as a high-end chassis OLT series which include two models. Both models introducing high-performance chipsets and complies with ITU-T international standards. The EDL-CH Chassis OLT series provide multiple access methods such as GPON, XG-PON, XGS-PON and Combo PON, also supporting multiple network solutions such as FTTH, FTTB, FTTC, FTTD and FTTM. The EDL-CH Chassis OLT easily and reliably provides high-bandwidth and high-speed data transmission, confidently meeting the needs of large-scale deployment.

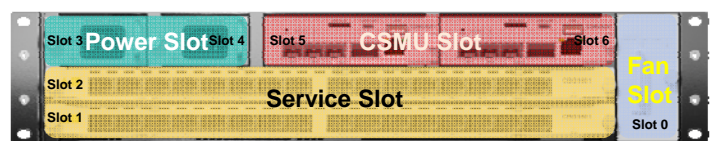
The products have comprehensive management and monitoring functions, simplifying the operation and maintenance processes, and provide rich business functions and most importantly, scalability. The EDL-CH provides operators with excellent user experience and high-quality services, and easily meeting the challenges faced by operators in the development of "wider, faster and smarter" gigabit ultra-wide networks.

## Slots and Cards of Chassis OLT Series:

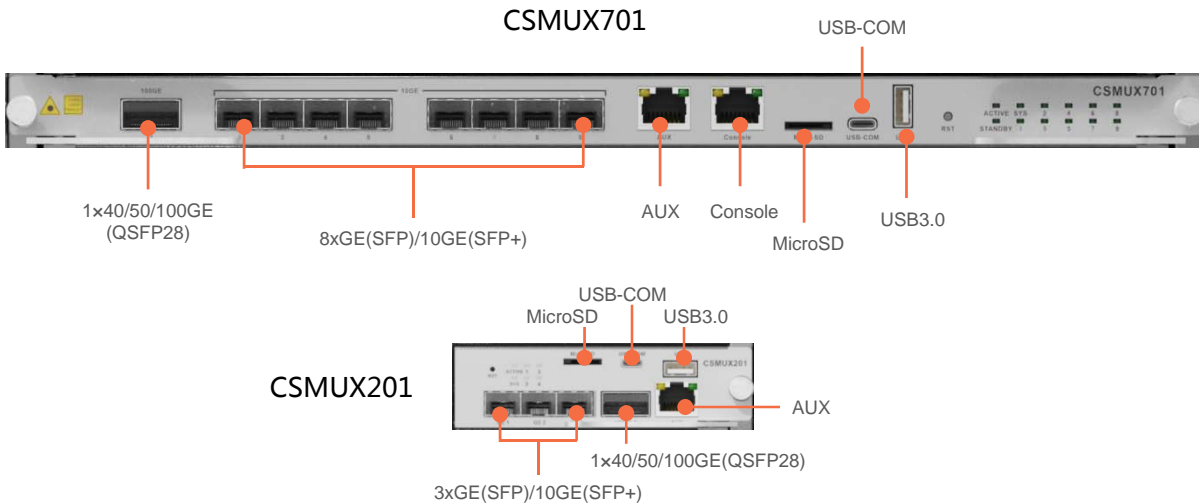
Chassis OLT with 7 Service Slots



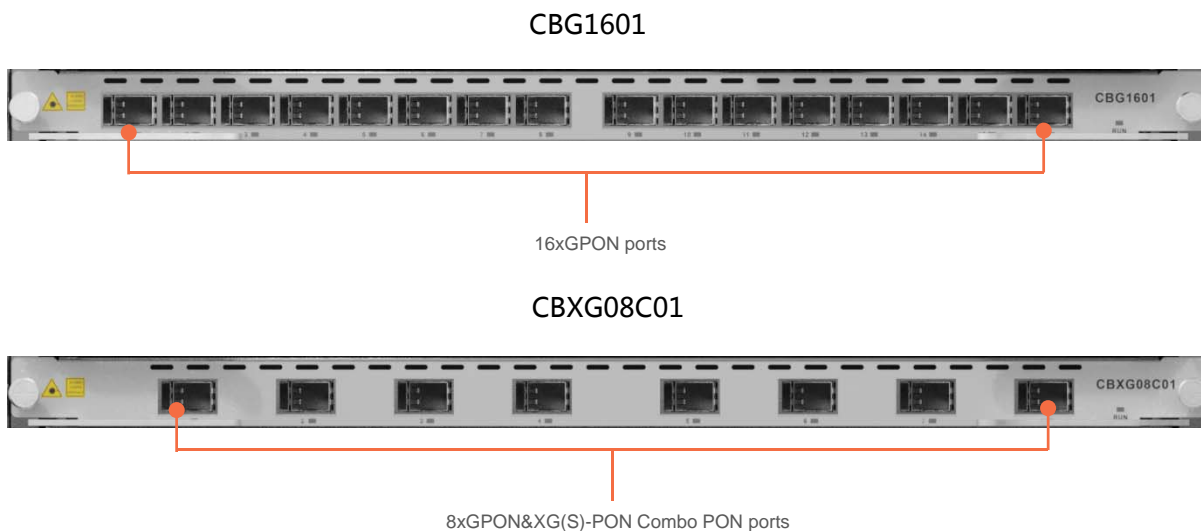
Chassis OLT with 2 Service Slots



## Interface of CSMU Card:



## Interface of Service Card:



## Technical Specifications

### Management Function

- Telnet, CLI, WEB, SSH v2
- Fan Group Control
- Port Status monitoring and configuration management
- Online ONT configuration and management
- User management
- Alarm management

### PON Function

- T-CONT DBA
- x-GEM traffic
- compliant with ITU-T G.9807(XGS-PON), ITU-T G.987(XG-PON) and ITU-T984.x
- Up to 20KM transmission Distance
- data encryption, multi-cast, port VLAN, separation, RSTP support, etc
- ONT auto-discovery/link detection/remote upgrade of software support
- VLAN division and user separation to avoid broadcast storm support
- power-off alarm function, easy for link problem detection support
- broadcasting storm resistance function support
- port isolation between different ports support

- ACL and SNMP to configure data packet filter flexibly support
- Specialized design for system breakdown prevention to maintain stable system
- STP, RSTP, MSTP support

### Layer2 Switch

- 32K Mac address
- 4096 VLANs support
- port VLAN support
- VLAN tag/Un-tag, VLAN transparent transmission support
- VLAN translation and QinQ support
- storm control based on port support
- port isolation support
- port rate limitation support
- 802.1D and 802.1W support
- static LACP, Dynamic LACP support
- QoS based on port, VID, TOS and MAC address
- Access control list
- IEEE802.x flowcontrol
- Port stability statistic and monitoring

### Layer 3 Route

- ARP proxy
- 4096 hardware Host Routes, 512 hardware Subnet Routes

- Radius, Tacacs+ support
- IP source guard support
- static route, dynamic route RIP v1/v2, RIPng and OSPF v2/v3 support

### IPv6

- NDP support
- IPv6 Ping, IPv6 Telnet, IPv6 routing support
- ACL based on source IPv6 address, destination IPv6 address, L4 port, protocol type support, etc

### Multicast

- IGMP v1/v2, IGMP snooping/Proxy
- MLD v1 snooping/Proxy

### DHCP

- DHCP server, DHCP relay, DHCP snooping
- DHCP option82

### Security

- power backup support
- CSM 1+1 redundancy support
- Type B PON protection support
- IEEE 802.1x, AAA, Radius and Tacas+ support

# Technical Specifications

Item		Chassis OLT with 7 Service Slots
Chassis	Rack	19 Inch Standard
Dimension(LxWxH)		442x299x266.7mm - 17.4x11.77x10.5 inch (Without mounting ears)
Working Tempature		-20°C ~+60°C
Working Humidity		5%~95% (non-condensing)
Storage Tempature		-40 ~ +70°C
Storage Humidity		5%~95% (non-condensing)
Power Supply	DC	-48V
Number of Fans		6
Backplane Bandwidth (Gbps)		3920
CSMU Card: CSMUX701		
Uplink Port	QTY	9
	SFP(GE)/SFP+(10GE)	8
	QSFP28(40GE/50GE/100GE)	1
Management Ports		1x AUX(10/100/1000BASE-T out-band port), 1x CONSOLE port, 1x MicroSD port, 1x USB-COM, 1x USB3.0
Slot position		Slot 5-6
Service Card: CBG1601		
GPON Port	QTY	16
	Physical Interface	SFP Slots
	Connector Type	Class C+++/C++++
PON Port Specification (Class C+++ module)	Transmission Distance	20KM
	PON Port Speed	Upstream: 1.244Gbps, Downstream: 2.488Gbps
	Wavelength	Upstream: 1310nm , Downstream: 1490nm
	Connector	SC/UPC
	TX Power	+4.5~+10dBm
	Rx Sensitivity	≤ -30dBm
Saturation Optical Power		-12dBm
Slot position		Slot 1-4, Slot 7-9
Service Card: CBXG08C01		
GPON&XG(S)-PON Combo Port	QTY	8
	Physical Interface	SFP+ Slots
	Connector Type	N2_C+
GPON&XG(S)-PON Combo Port Specification (N2_C+ module)	Transmission Distance	20KM
	XG(S)-PON Port Speed	GPON: Upstream1.244Gbps, Downstream 2.488Gbps XG-PON: Upstream 2.488Gbps, Downstream 9.953Gbps XGS-PON: Upstream 9.953Gbps, Downstream 9.953Gbps
	Wavelength	GPON: Upstream 1310nm , Downstream 1490nm XG(S)-PON: Upstream 1270nm , Downstream 1577nm
	Connector	SC/UPC
	TX Power	GPON: +3dBm ~ +7dBm , XG(S)PON: +4dBm ~ +7dBm
	Rx Sensitivity	XGS-PON: -28dBm , XG-PON: -29.5dBm , GPON: -32dBm
Saturation Optical Power		XGS-PON: -7dBm , XG-PON: -9dBm , GPON: -12dBm
Slot position		Slot 1-4

## Ordering Information:

Product Name	Product Description	Specific
Chassis with 7 Service Slots	Chassic of OLT	/
CSMUX701	CSMU Card	1x 40/50/100GE(QSFP28)+8x GE(SFP)/10GE(SFP+) +1x AUX+1x Console+1x MicroSD+1x USB-COM+1x USB3.0
CBG1601	Service Card	16x GPON ports
CBXG08C01	Service Card	8x GPON&XG(S)-PON Combo PON ports
PDX701	Power Supply Card	DC -48V
FX701	Fan tray	/

# Technical Specifications

Item		Chassis OLT with 2 Service Slots
Chassis	Rack	19 Inch Standard
Dimension(LxWxH)		442x299x88.9mm 17.4x11.77x3.5 inch(Without mounting ears)
Working Tempature		-20°C ~+60°C
Working Humidity		5%~95%(non-condensing)
Storage Tempature		-40 ~ +70°C
Storage Humidity		5%~95%(non-condensing)
Power Supply	DC	-48V
	AC	100~240VAC, 50/60Hz
Number of Fans		2
Backplane Bandwidth (Gbps)		1700
CSMU Card: CSMUX201		
Uplink Port	QTY	4
	SFP(GE)/SFP+(10GE)	3
	QSFP28(40GE/50GE/100GE)	1
Management Ports		1xAUX(10/100/1000BASE-T out-band port), 1xMicroSD port, 1xUSB-COM, 1xUSB3.0
Slot position		Slot 5-6
Service Card: CBG1601		
GPON Port	QTY	16
	Physical Interface	SFP Slots
	Connector Type	Class C+++/C++++
PON Port Specification (Class C+++ module)	Transmission Distance	20KM
	PON Port Speed	Upstream: 1.244Gbps, Downstream: 2.488Gbps
	Wavelength	Upstream: 1310nm , Downstream: 1490nm
	Connector	SC/UPC
	TX Power	+4.5~+10dBm
	Rx Sensitivity	≤ -30dBm
	Saturation Optical Power	-12dBm
Slot position		Slot 1-2
Service Card: CBXG08C01		
GPON&XG(S)-PON Combo Port	QTY	8
	Physical Interface	SFP+ Slots
	Connector Type	N2_C+
GPON&XG(S)-PON Combo Port Specification (N2_C+ module)	Transmission Distance	20KM
	XG(S)-PON Port Speed	GPON: Upstream1.244Gbps, Downstream 2.488Gbps XG-PON: Upstream 2.488Gbps, Downstream 9.953Gbps XGS-PON: Upstream 9.953Gbps, Downstream 9.953Gbps
	Wavelength	GPON: Upstream 1310nm , Downstream 1490nm XG(S)-PON: Upstream 1270nm , Downstream 1577nm
	Connector	SC/UPC
	TX Power	GPON: +3dBm ~ +7dBm , XG(S)PON: +4dBm ~ +7dBm
	Rx Sensitivity	XGS-PON: -28dBm , XG-PON: -29.5dBm , GPON: -32dBm
	Saturation Optical Power	XGS-PON: -7dBm , XG-PON: -9dBm , GPON: -12dBm
Slot position		Slot 1-2

## Ordering Information:

Product Name	Product Description	Specific
Chassis with 2 Service Slots	Chassic of OLT	/
CSMUX201	CSMU Card	1x 40/50/100GE(QSFP28) + 3x GE(SFP)/10GE(SFP+) +1x AUX+1x MicroSD+1x USB-COM+1x USB3.0
CBG1601	Service Card	16x GPON ports
CBXG08C01	Service Card	8x GPON&XG(S)-PON Combo PON ports
PDX201	Power Supply Card	DC -48V
PAX201	Power Supply Card	AC 220V, 50/60Hz
FX201	Fan tray	/